

Nulla Nulla Backhoe Dredge



Specifications

Built	1995 (conversion 2010)	DIMENSIONS	
Classification Society	Bureau Veritas	Length Overall	50.00m
CAPACITIES		Hull Length	48.00m
Maximum Dredging Depth	18m or 19.5m	Breadth	16.00m
Bucket Capacity	8m ³ , 5m ³	Depth	3.00m
Fuel Tank	71m ³	Draft	2.00m
Water Tank	2 x 42m ³	Beam	16.00m
Digging Force & Breakout Force	526kN / 520kN	MACHINERY	
Accommodation	2 x pax	Total Installed Power	Excavator: 1500hp (1120kW) – Cummins QSK45
		Deck Cranes	1 x 20t & 1 x 2.8t
		Spud Length	2 x 29m & 1 x 32m

AUSTRALIA OFFICE

149 Sippy Downs Drive, Buderim, QLD 4556 Australia

PO Box 519, Buderim, QLD 4556 Australia

+61 5445 5977

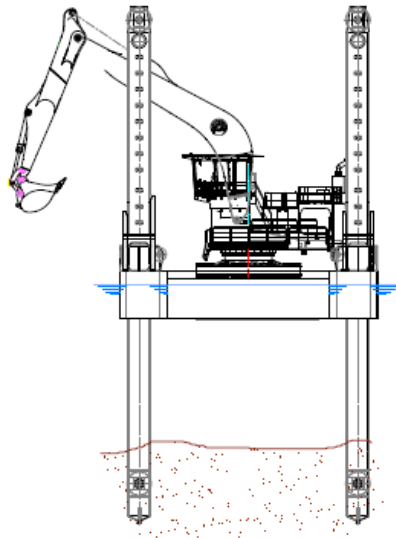
hallcontracting.com.au

Hall Contracting Pty Ltd, ABN 55 009 786 065

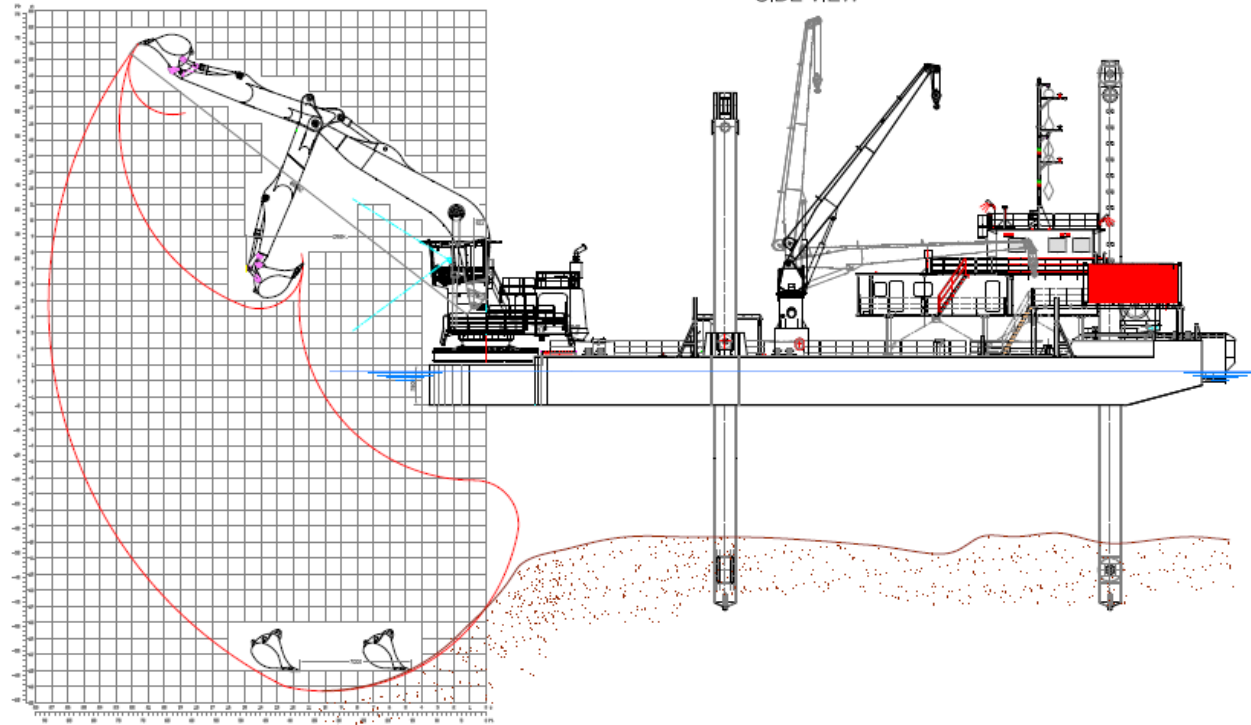
Nulla Nulla Backhoe Dredge

HALL

AFT VIEW



SIDE VIEW



Dredger characteristics :

Dimensions	50,0 x 16,0 x 3,0 m.
Classification	Bureau VERITAS I 3/3 Special Service Dopperdredger / Coastal area and Deep sea transit for long unmanned voyages
Spuds	3 no. square spuds 1400mm, length 29m and 32m
Spud winches	65 ton, hoisting capacity 260 ton per spud
Max. working depth	23m (with gooseneck 19m and stick 11m, bucket 3,5m³)
Miscellaneous	Spudcarrier stroke 5,5m by hydraulic cylinder Fuelbunker capacity 60 ton Deck crane DSF100, 20 t at 9 m, 9 t at 15m Auxiliary deck crane Hella

Excavator characteristics :

Make & type	LIEBHERR P9350
Operating weight	265 ton (incl. elastic foundation)
Engine	Cummins QSK45 , 1120 kW (1500 hp), 12 cyl. In V
Gooseneck	15 m (standard)
Stick	9,45 m (standard)
Bucket	8 m³ (standard)
Working depth	19 m (with standard equipment)
Digging force	approx. 526 kN
Breakout force	approx. 520 kN
Options	Hydr.hammer (Atlas Copco HB 7000 & HB 10000) Hydr. grab

MAIN DECK

